

AKG Thermotechnik International GmbH & Co. KG

Am Hohlen Weg 31, D-34369 Hofgeismar
 Telephone: ++49 (0) 56 71 88 3 - 0, Telefax: ++49 (0) 56 71 35 82
 Internet: www.akg-group.com, E-mail: Info@akg-group.com

Thermo-Switch for Oil / Air – Cooling Systems

Application

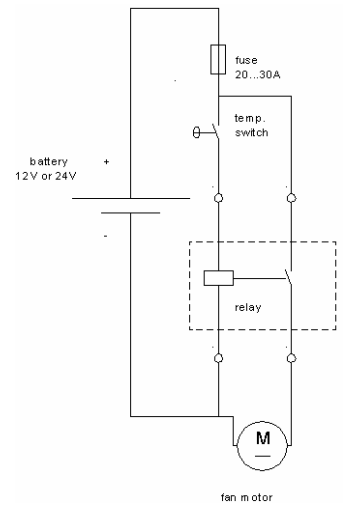
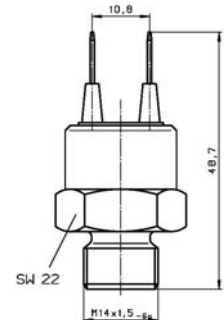
The thermal switches are used for fan control in oil to air cooling systems. Their preferred mounting position is directly into the cooler. Due limited switching capacity thermo switch should not switch motor directly but an adequate relay instead (see wiring diagram).

Properties

- operation independent of position
- maintenance free
- fixed switching point
- bi-metal switch – independent of current

Technical Data

voltage: 12V / 24V DC
 switching current: 8 A max.
 power: 120 W max.
 min. switching current: > 100 mA (ohm resistive load)
 electrical lifetime: 25,000 switching cycles
 operation temperature: -30 °C up to +110 °C (-34 °F up to 44 °F)
 connection plug: flat connection 6,3 mm according to DIN 46244
 deg. of protection: inside IP54, blade terminal IP00
 mounting torque: shutter max. 35 Nm, breaker max. 15 Nm



switching temp. [°C]		max. permissible sensor temperature [°C]		wrench-width [mm] (SW)	type S = shutter B = breaker	thread x pitch	AKG-No.	
high	low	permanent	short term					
45	40	55	75	29	S	M22 x 1,5	8060.013.0000	
50	45	60	80	22	S	M14 x 1,5	8060.015.0000	*
55	50	65	85	22	S	M14 x 1,5	8060.017.0000	*
55	50	65	75	22	O	M14 x 1,5	8060.019.0000	
65	60	75	95	22	S	M14 x 1,5	8060.003.0000	*
75	70	85	105	22	S	M14 x 1,5	8060.009.0000	
80	75	90	110	29	S	M22 x 1,5	8060.012.0000	
82	77	90	110	29	S	M22 x 1,5	8060.014.0000	
85	80	95	115	22	S	M14 x 1,5	8060.008.0000	
90	85	100	120	22	S	M14 x 1,5	8060.016.0000	
91	86	101	110	22	O	M14 x 1,5	8060.018.0000	

* Standard, stocked switches. Other switching temperature ranges sold only upon request.