

**Cooling Experts Around the Globe**

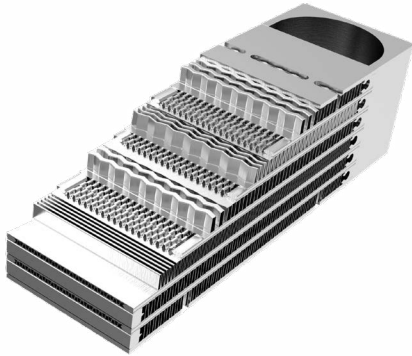


# **Cooling Modules and Cooling Systems for Agricultural and Forestry Machinery**



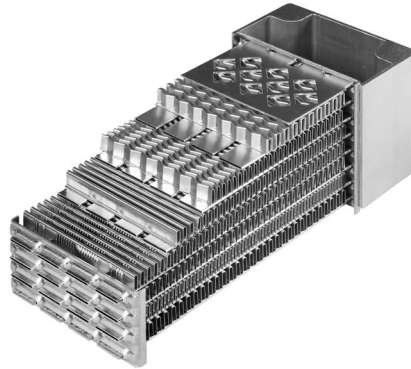
## AKG PRODUCT RANGE

### Bar/Plate



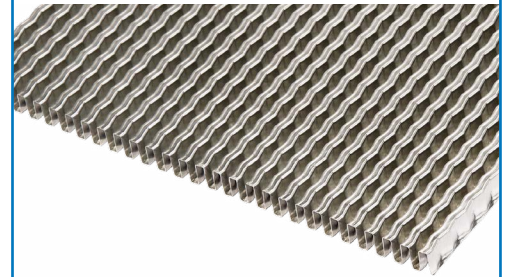
- Versatile applications
- High pressure resistance

### TubeFin Radiator

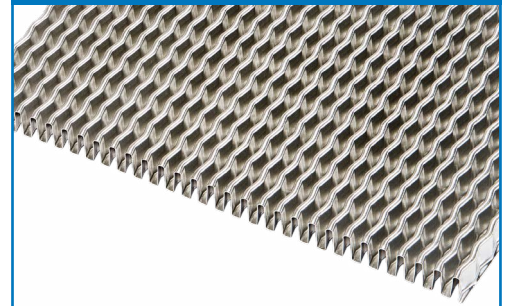


- Robust construction
- Deep cores
- Weight optimized

### Cooling Air Fins



- Strong
- Resistant to clogging
- Easy to clean / maintain
- High efficiency
- Durable

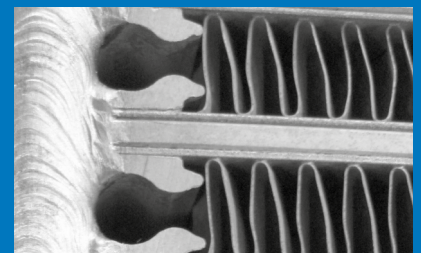


### Product details

- Customer specific design
- Low tooling costs
- Short time to market with proven component options
- Optimized costs and space claim
- Side-by-Side arrangement
- Global availability
- Cost effective
- High cooling capacity
- Aluminum header tanks
- Highly flexible dimension
- Long lifetime
- Clogging resistant

### Flexible AKG Hollow Profile

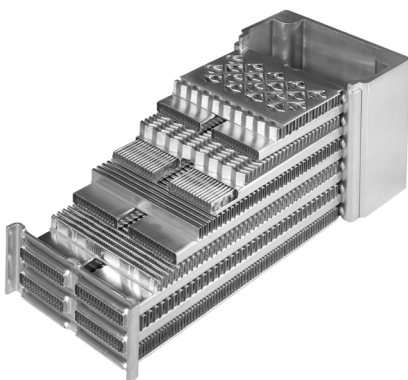
In many coolers AKG uses hollow profiles to reduce local peak strains. This way the strength of heat exchangers is significantly increased and their service life time considerably prolonged.



### AKG Hollow Profile Features

- Reduced Strain: Strength calculations show that when using AKG hollow profiles maximum strain is reduced by a factor of 2
- Prolonged Service Life Time: Extensive rig tests have shown that the service life time increases by a factor ranging from 3 to 5

### TubeFin Charge Air Cooler



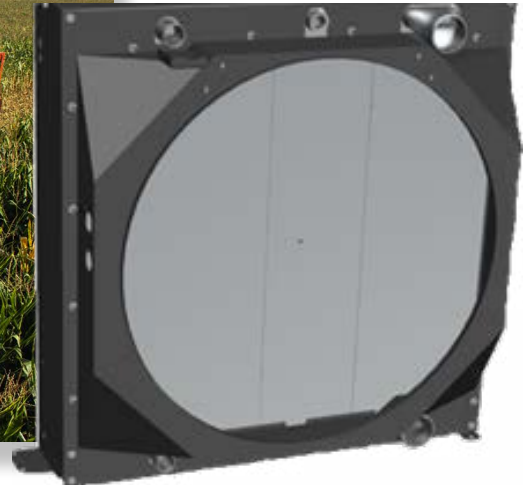
- Robust construction
- Deep cores
- Weight optimized

### LightWeight Cooler



- Fully brazed with no welding
- Light weight & robust construction
- High performance
- Less manufacturing lead time

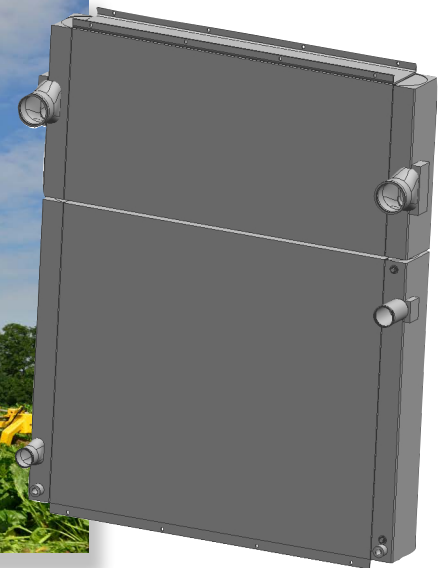
## FORAGE HARVESTER



Smoothly functioning harvesters yield highly efficient harvesting performance.

**AKG cooling systems** provide cooling air fins with high specific cooling capacity and resistance to clogging from contamination. The custom engineered **AKG cooling systems** are characterized by high performance with optimized weight.

## HARVESTING



Unfavorable weather and soil conditions are often key factors in beet and potato harvesting.

**AKG** offers optimized **cooling systems and components** for these applications. High specific cooling capacity, resistance to clogging and high mechanical durability offer the best conditions for trouble-free use in the field.

## FOREST MACHINERY



Compact **AKG cooling system** consisting of Charge Air Cooler, Radiator and Hydraulic Oil Cooler in "Side-by-Side" arrangement.

Debris resistant cooling air fins ensure optimum cooling even under difficult conditions.

Reduced fuel consumption by optimizing design of charge air cooler, radiator and hydraulic oil cooler to insure balanced heat management.

## SELF PROPELLED SPRAYER



Ready-to-install **AKG cooling systems** provide for the ideal custom Cooling.

Sickle fans available for low noise applications.

Cooling airfins that are resistant to clogging are available.

System is custom engineered to balance thermal management and reduce fuel consumption.

## TRACTORS



Custom engineered, weight optimized solutions are ready for installation.

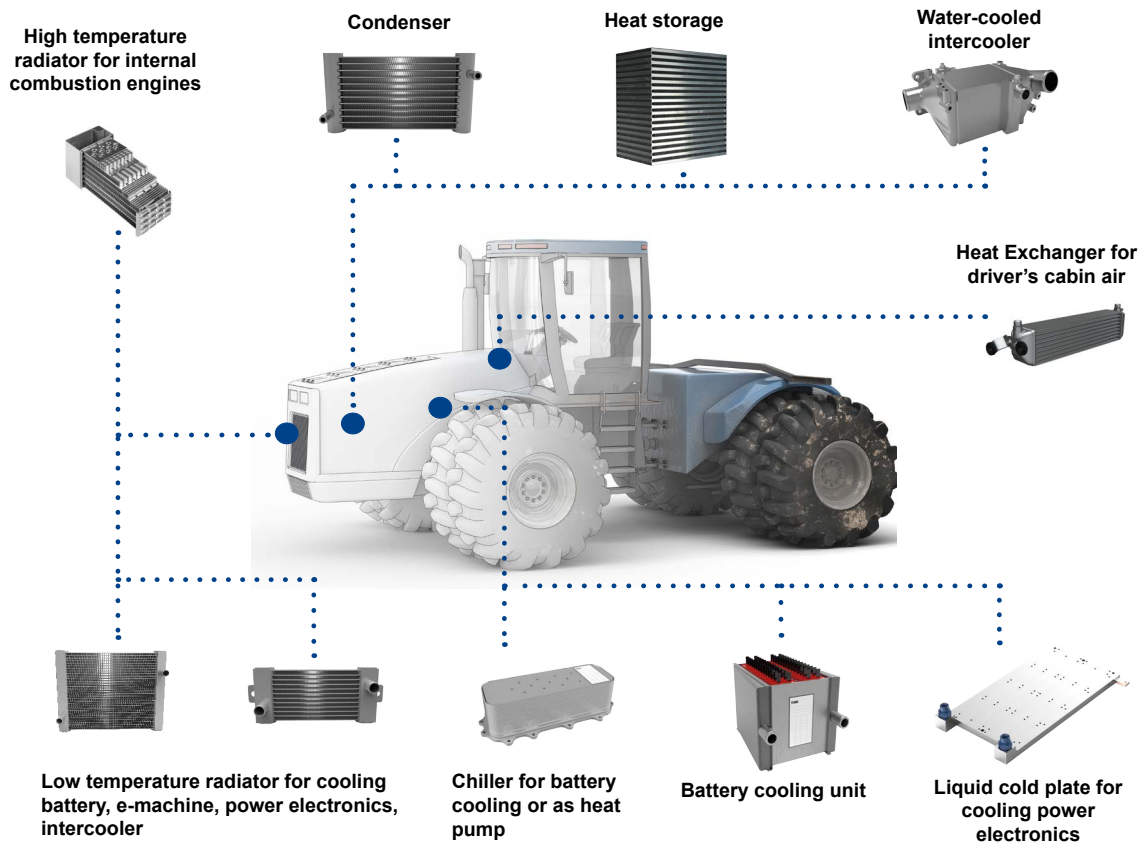
Cooling systems are optimized to balance heat rejection while reducing fuel consumption.

**AKG offers „Side-by-Side“ cooling systems** and utilize airfins with a low susceptibility to clogging.

Airfins are made from thicker material to endure pressure washing.

## AKG COOLING SOLUTIONS FOR HYBRID VEHICLES

Development of new innovative cooling solutions for use in hybrid and electric vehicles.



## We help you to achieve your goals:

- System supplier for innovative high performance cooling systems
- Global presence with local production and regional engineering support
- Family-run, reliable and durable
- Integration of components into ready-made Plug&Play solutions
- New ways to simplify assembly and logistics for our customers
- Complete responsibility for modules and systems
  - + Technology competence
  - + Service orientation
  - + Handling of the entire value chain
  - + Industry knowledge through 100 years of experience
  - + Fulfillment of all technical specifications

### Competence and resources

- + Design and simulations software
- + Extensive testing equipment and cutting-edge measurement technology
- + Advanced project management (APQP)



## **AKG Thermotechnik International GmbH & Co. KG**

Am Hohlen Weg 31

D-34369 Hofgeismar • Germany

Phone: + 49 5671 - 8 83 - 0

[info@akg-group.com](mailto:info@akg-group.com)

[www.akg-group.com](http://www.akg-group.com)



## **AKG GROUP – A STRONG GLOBALLY REPRESENTED COMPANY**

*AKG is a leading global supplier of high-performance coolers and heat exchangers, providing custom system solutions with the highest quality standards.*

*Around the world 2.750 employees work at 11 manufacturing facilities located in Germany, France, Latvia, Turkey, the USA, Brazil, China and India. Together with a number of sales offices in additional countries and regions, AKG's cooling experts are on duty around the clock.*

*Longstanding partnerships with global OEM customers from 24 lines of business - including construction machinery, compressed air systems, agricultural and forestry machines, and many others - give fresh and innovative inspiration for AKG's line of pre-engineered cooling systems as well.*

*AKG operates one of the world's largest research, development, measurement and validation centres for cooling solutions and customized applications.*

*For over 100 years, AKG's heat exchangers have stood for innovative solutions as well as the highest standard of engineering and manufacturing expertise.*